


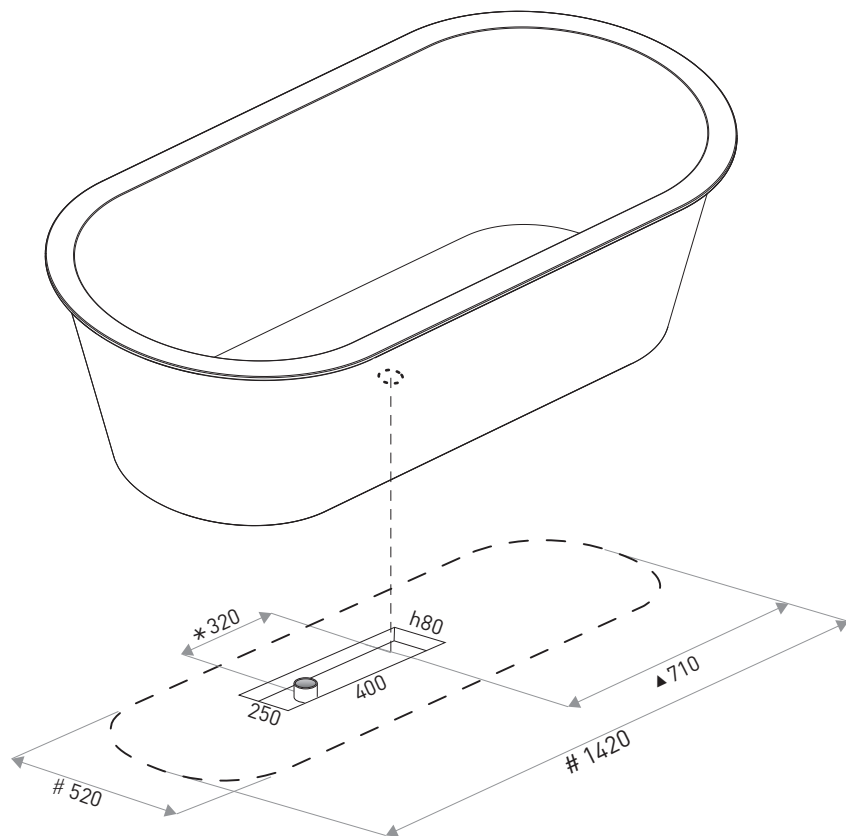
# Istruzioni di montaggio vasca Ottavia senza struttura

## Ottavia frameless bathtub assembly instructions

 Evitare di realizzare impianti di riscaldamento nell'area sottostante la vasca.  
Avoid the installation of floor heating plants in the area under the bathtub.

**cielo**  
handmade in Italy

### posizionamento vasca bath tub location

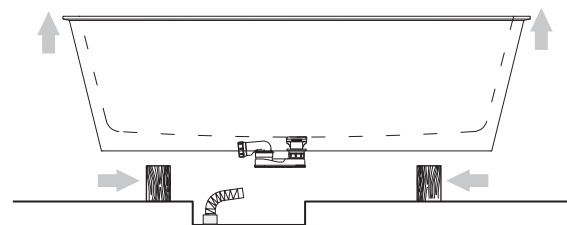


#  
Ingombro base di appoggio.  
Base footprint.

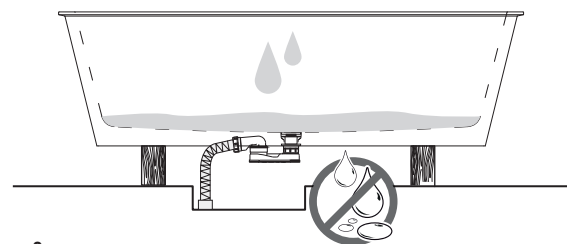
▲  
Centro dello scarico della vasca.  
Center of tub drain.

\*  
Distanza consigliata per i possibili collegamenti del tubo di scarico.  
Recommended distance for possible connections with the drain pipe.

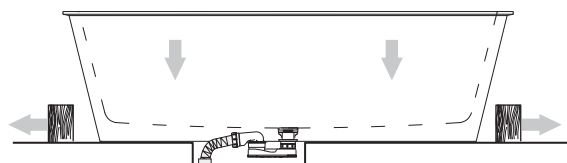
### fasi di installazione installation steps



1. Sollevare la vasca e posizionare due spessori in legno.  
Lift up the bathtub and place the wooden beams.

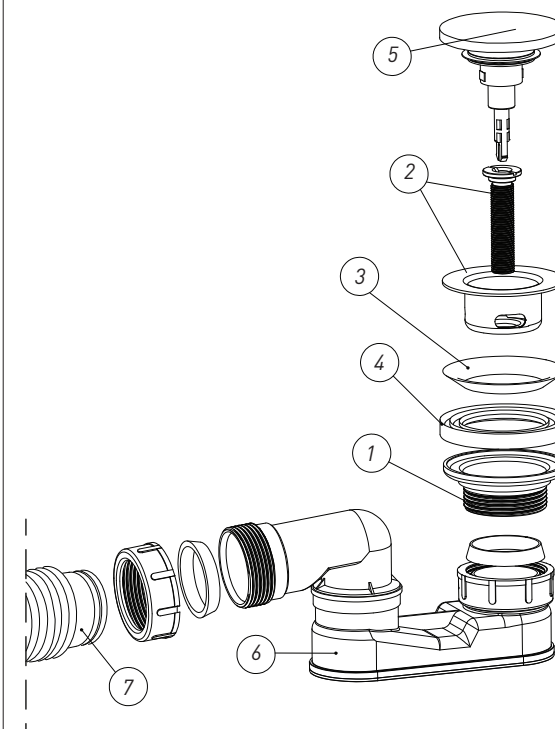


2. Allacciare il meccanismo alla tubazione di scarico, poi riempire parzialmente la vasca al fine di verificare eventuali perdite di acqua.  
Joint the mechanism to the plumbing pipe, then partially fill the bathtub in order to verify eventual water leaks.



3. Togliere gli spessori in legno e appoggiare la vasca a pavimento.  
Remove the beams and place the bathtub to the floor.

### particolare piletta drain detail



- 1 Corpo piletta ribassata
- 2 Piletta inox
- 3 Guarniz. conica 48x70x8 (202)
- 4 Guarnizione sagomata 48x75
- 5 Tappo
- 6 Sifone in PP ribassato G1"1/2
- 7 Tubo Ø40 (non incluso)

#### MANUTENZIONE DELLE PARTI IN SOLID SURFACE:

Pulizia quotidiana: nel caso in cui non ci siano macchie ostinate o presenti da molti giorni il Solid Surface riacquista facilmente la sua bellezza semplicemente utilizzando una spugna abrasiva bagnata con sola acqua o con detergenti leggeri. Pulizia profonda: in caso di macchie ostinate utilizzare sul Solid Surface detergenti abrasivi applicati con una spugna abrasiva e, se la macchia persiste oppure in presenza di graffi profondi, usare carta abrasiva di grana fine per levigare la superficie; successivamente risciacquare bene la superficie con acqua e la parte morbida della spugna. Sebbene il Solid Surface sia un materiale compatto e non poroso e abbia una buona resistenza alle macchie, si consiglia di non utilizzare detergenti e cosmetici troppo aggressivi, quali acidi e acetone.

#### MANUTENZIONE DELLA PARTI METALLICHE:

Mantenere la struttura e le parti in legno sempre ben asciutte. Per la pulizia, usare un panno morbido/microfibra imbevuto leggermente con acqua. Non lasciare mai le superfici bagnate. Evitare l'uso di materiali per la pulizia a base acida (es. viakal, cillit bang, chanteclair, ecc.) che possono rovinare irrimediabilmente le parti in metallo. Tutte le operazioni di pulizia, devono essere effettuate con cura per non graffiare o lucidare la superficie.

#### AVVERTENZE

L'articolo è composto da più parti. Prima di procedere all'installazione, verificare accuratamente tutti i componenti. Una procedura di installazione non corretta può provocare danni di vario genere, per tanto, le operazioni di installazione devono essere effettuate da personale qualificato e specializzato. Accertarsi della tenuta idraulica dei componenti.

#### GARANZIA

Ceramica Cielo S.p.A. declina ogni responsabilità per danni diretti e/o indiretti, derivanti da una manutenzione e/o uso inopportuno del prodotto; oltre che conseguenti a una errata o cattiva installazione. La messa in opera del prodotto, implica l'accettazione dello stesso sia in termini funzionali che estetici. Ceramica Cielo S.p.A. declina ogni responsabilità relativa ad eventuali inesattezze contenute in queste istruzioni dovute ad errori di trascrizione e stampa. Ceramica Cielo S.p.A. non risponde di eventuali deformazioni del mobile quando causati da negligenza dell'installatore o da prolungata permanenza del mobile a contatto con l'acqua. In caso di accertati difetti sul prodotto, la garanzia rimane limitata alla sola sostituzione dell'articolo difettato e non copre in alcun modo le spese relative alla sua sostituzione quali opere edili, trasporti, accessorie ecc. Ceramica Cielo S.p.A. si riserva altresì di apportare tutte le modifiche necessarie al miglioramento del presente prodotto e della sua documentazione, in qualsiasi momento e senza preavviso.

#### ENTRETIEN DES PARTIES EN SOLID SURFACE:

Following this instruction Solid Surface will preserve its original beauty in time. Daily cleaning: For daily cleaning, wash Solid Surface with water or light detergents and an abrasive sponge. Deep cleaning: In order to remove hard stains or halos, clean Solid Surface with abrasive detergents and an abrasive sponge, if the stain remains, or in case of deep scratches use an extra-fine sand paper to smooth the surface; rinse with abundant water and a soft sponge. Although the Solid Surface is a compact, nonporous material and has a good resistance to stains, it is recommended not to use aggressive Solid Surface is a compact, non-porous material detergents, cosmetics, acids and acetone.

#### ENTRETIEN DES PARTIES MÉTALLIQUES PARTIES

Bien garder la structure et les parties en bois toujours bien sèches. Pour le nettoyage, employer un linge doux ou en microfibre imbibé légèrement d'eau. Ne pas laisser les surfaces mouillées. Éviter d'employer des nettoyants ménagers à base acide (ex. viakal, cillit bang, chanteclair, etc.) qui risqueraient d'endommager irrémédiablement les parties métalliques. Toutes les opérations de nettoyage doivent être effectuées avec soin pour ne pas rayer ou polir les surfaces.

#### WARNING

The item is composed of several parts. An incorrect installation procedure may cause damages of various types. Therefore, installation operations must be done by qualified and specialised personnel. Check the perfect seal of the components.

#### GARANZIA

Ceramica Cielo S.p.A. declines every responsibility for direct/indirect damages, arising from unsuitable maintenance and/or usage of the products, besides the consequences of erroneous installation. The laying of the product implies the acceptance of these in both functional and aesthetic terms. Ceramica Cielo S.p.A. declines every liability concerning the possible inexactness contained in these instructions due to transcription or printing errors. Ceramica Cielo S.p.A. will not be held liable for possible deformation of the furniture when this is caused by the negligence of the installer or prolonged storage of the furniture in contact with water. Should there be ascertained defects on the product, the guaranty is limited only to the replacement of the defective item and does not cover in any way the related expenses for its replacement such as construction works, transport, accessories, etc. Ceramica Cielo S.p.A. furthermore reserves the right to carry out necessary improvement modifications of this product and its documentation, at any moment, and without notice.

#### MAINTENANCE OF THE SOLID SURFACE PARTS:

Following this instruction Solid Surface will preserve its original beauty in time. Daily cleaning: For daily cleaning, wash Solid Surface with water or light detergents and an abrasive sponge. Deep cleaning: In order to remove hard stains or halos, clean Solid Surface with abrasive detergents and an abrasive sponge, if the stain remains, or in case of deep scratches use an extra-fine sand paper to smooth the surface; rinse with abundant water and a soft sponge. Although the Solid Surface is a compact, nonporous material and has a good resistance to stains, it is recommended not to use aggressive Solid Surface is a compact, non-porous material detergents, cosmetics, acids and acetone.

#### MAINTENANCE OF THE METALLIC PARTS:

Keep the structure and wooden parts always dry. For cleaning, use a soft/microfibre cloth, slightly moistened with water. Never leave the surfaces wet. Avoid using acidic cleaning solutions (e.g. viakal, cillit bang, chanteclair, etc.) that may inevitably ruin the metal parts. All the cleaning operations must be done carefully so as not to scratch or polish the surfaces.

#### WARNING

The item is composed of several parts. An incorrect installation procedure may cause damages of various types. Therefore, installation operations must be done by qualified and specialised personnel. Check the perfect seal of the components.

#### GARANZIA

Ceramica Cielo S.p.A. declines every responsibility for direct/indirect damages, arising from unsuitable maintenance and/or usage of the products, besides the consequences of erroneous installation. The laying of the product implies the acceptance of these in both functional and aesthetic terms. Ceramica Cielo S.p.A. declines every liability concerning the possible inexactness contained in these instructions due to transcription or printing errors. Ceramica Cielo S.p.A. will not be held liable for possible deformation of the furniture when this is caused by the negligence of the installer or prolonged storage of the furniture in contact with water. Should there be ascertained defects on the product, the guaranty is limited only to the replacement of the defective item and does not cover in any way the related expenses for its replacement such as construction works, transport, accessories, etc. Ceramica Cielo S.p.A. furthermore reserves the right to carry out necessary improvement modifications of this product and its documentation, at any moment, and without notice.

#### ОБСЛУЖИВАНИЕ ЧАСТЕЙ SOLID SURFACE:

Следя этой инструкции, Solid Surface со временем сохранит свою первоначальную красоту. Ежедневная уборка: Для ежедневной уборки мойте Solid Surface водой или легкими моющими средствами с абразивной губкой. Глубокая очистка: Для удаления стойких пятен или ореолов очистите Solid Surface с помощью абразивных моющих средств и абразивной губки, если пятно осталось, или в случае глубоких царапин используйте очень мелкую наждачную бумагу, чтобы сгладить поверхность; промойте большим количеством воды и мягкой губкой. Несмотря на то, что Solid Surface является компактным, непористым материалом и имеет хорошую устойчивость к пятнам, рекомендуется не использовать агрессивные вещества. Solid Surface представляет собой компактный, непористый материал, устойчивый к моющим средствам, косметике, кислотам и ацетону.

#### ОБСЛУЖИВАНИЕ МЕТАЛЛИЧЕСКИХ ЧАСТЕЙ:

Держите конструкцию и деревянные детали всегда сухими. Для очистки используйте мягкую ткань/салфетку из микроволокна, слегка смоченную водой. Никогда не оставляйте поверхности мокрыми. Избегайте использования кислотных чистящих растворов (например, viakal, cillit bang, chanteclair и т. д.), которые могут неизбежно испортить металлические детали. Все операции по очистке необходимо производить осторожно, чтобы не поцарапать и не отполировать поверхности.

#### ПРЕДУПРЕЖДЕНИЕ

Товар состоит из нескольких частей. Неправильный порядок установки может привести к различным повреждениям. Поэтому операции по установке должны выполняться квалифицированным и специализированным персоналом. Проверьте идеальное уплотнение компонентов.

#### ГARANZIA

Ceramica Cielo S.p.A. не несет никакой ответственности за прямой/косвенный ущерб, возникший в результате ненадлежащего обслуживания и/или использования продукции, за исключением последствий неправильной установки. Укладка продукта подразумевает их принятие как с функциональной, так и с эстетической точек зрения. Ceramica Cielo S.p.A. снимает с себя всякую ответственность за возможную неточность, содержащуюся в этих инструкциях, из-за опечаток или опечаток. Ceramica Cielo S.p.A. не несет ответственности за возможную деформацию мебели, вызванную небрежностью установщика или длительным хранением мебели в контакте с водой. В случае выявления дефектов изделия гарантия ограничивается только заменой дефектного изделия и никоим образом не покрывает связанные с его заменой расходы, такие как строительные работы, транспорт, аксессуары и т. д. Кроме того, Ceramica Cielo S.p.A. оставляет за собой право вносить необходимые улучшения в этот продукт и его документацию в любой момент и без предварительного уведомления.